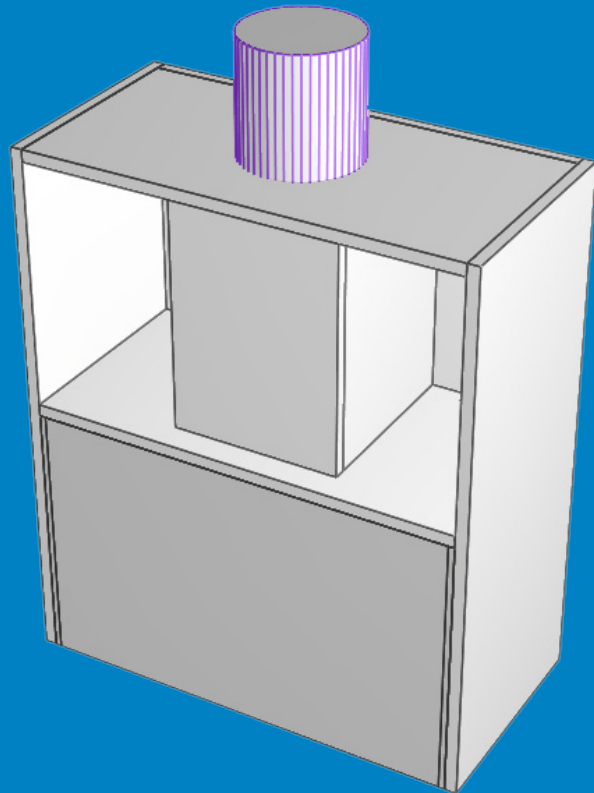


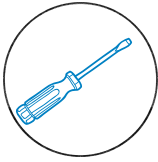
HOW TO ASSEMBLE RANGEHOOD CABINETS



Tools Required:



ELECTRIC DRILL



PHILLIPS
SREWDRIVER



MALLET

- 3mm drill bit
- Screw Driver Phillips Head

IMPORTANT INFORMATION: READ FIRST

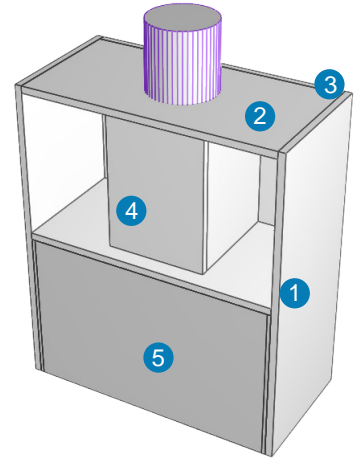
- Ensure all accessories of the cabinet are fully covered and protected from any dust while installing as this will cause malfunctioning or damage.
- Do not dispose of the box until you have everything including the cover clips located & installed, all hardware is pre-packed in the box

Parts Required:

Locate all the required parts for your eKitchens cabinet

You will need:

1. Cabinet Sides (Left and Right)
2. Cabinet Top and Bottom Panels
3. Back Panel
4. Duct front and sides
5. Internal face panel
6. Shelf (optional)
7. Instruction manual
8. Screws and hardware



Assembling the Cabinet Frame

Step 1

ATTACH THE SHELVES, TOP AND BOTTOM PANEL TO THE BACK PANEL

- Take one panel and align to the pre-drilled hole in the back panel at the appropriate position.
- Use screws to secure the panel to the back panel.
- Repeat the process with the other shelf and panel, ensuring that all edges align perfectly.



Step 2

ATTACH THE SIDE PANELS

- Take one panel and align the pre-drilled hole to the shelf, top and bottom panel at the appropriate position.
- Use screws to secure the panel.
- Repeat the process with the other side, ensuring that all edges align perfectly.

TIP: You can tell what end is top or bottom because cabinet sides are only edged at the bottom.



Step 4

ATTACH THE DUCT BOX SIDES AND FRONT

- Position the sides of the duct box inside the designated area.
- Use screws to secure the shelf to the back panel.
- Repeat the process with the other duct box, ensuring that all edges align perfectly.



Step 5

ATTACH THE INTERNAL FACE PANEL

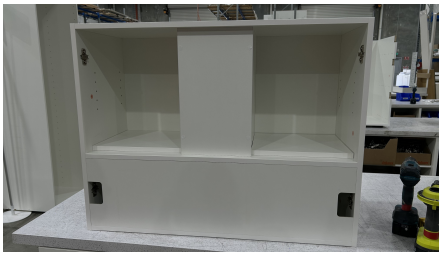
- Position the internal face panel inside the cabinet frame, aligning it with pre-drilled holes or marked positions.
- Secure the rangehood mount panel with screws. Make sure it is level and properly aligned.



Step 5

INSTALL THE MOUNTING PLATE

- Align the mounting plate with pre-drilled holes on the cabinet frame and push until it clicks.



Step 6

INSTALL THE CABINET DOORS

- Attach hinges to the cabinet door(s) and then align them with pre-drilled holes on the cabinet frame.
- Secure the hinges to the cabinet frame with screws.
- Adjust the door(s) to ensure they open and close smoothly.

Step 7

INSTALL THE ADJUSTABLE SHELF (OPTIONAL)

- If your rangehood cabinet includes an adjustable shelf, determine the desired height for the shelf. Use the measuring tape and pencil to mark the positions on both side panels.
- Attach shelf brackets at the marked positions and push in to secure.

FINAL ADJUSTMENTS AND REINFORCEMENTS

- Check the entire cabinet for alignment and make any necessary adjustments.
- Reinforce all joints with additional screws if needed.

TIPS FOR ASSEMBLY

- Ensure all parts are clean and free from debris before assembly
- Use a level to check for proper alignment at each step
- Use clamps to hold parts in place while securing them with screws if needed.
- Follow the instructions closely to avoid mistakes and ensure a sturdy assembly.

FINAL ADJUSTMENTS AND INSPECTION

- Check all connections and ensure everything is tight and secure.
- Adjust the door and drawer fronts for proper alignment.
- Inspect the entire assembly for stability and make any necessary adjustments.

TROUBLESHOOTING

- If parts do not fit as expected, double-check the part numbers and alignment.
- If the drawers do not slide smoothly, adjust the runners or check for obstructions
- For any missing parts or issues, contact customer success with your order details on cs@ekitchens.com.au.